

ETC MH 37 IH - Insulated Articulated Telescopic  
Chevrolet New 6500HD Diesel 4x4



CHEVROLET

**ETC MH 37 IH - INSULATED ARTICULATED TELESCOPIC  
NEW 6500HD DIESEL 4X4**

NEW


AVAILABLE

MATERIAL HANDLER



**OFFER INFORMATION**

Location details

341 NW 122nd Street, Oklahoma City, OK, 73114 -  
United States 

Dealer Name

PALFINGER

Availability

Available

Product type

New

Contact person

Mike Eastman

Dealer E-mail

m.eastman@palfinger.com

Dealer phone

+1-405-833-1153

### AERIAL UNIT DETAILS

- 42 ft Working Height
- 27'-5" ft Side Reach
- Insulated Boom
- Articulated-Telescopic
- Full Hydraulics Controls
- 180 Degree Platform Rotator
- 24 x 30 Platform
- Hydraulic Jib Winch

### BODY DETAILS

- PALFINGER Steel Service Bed
- 132 in Length + 36 in Tail shelf
- 60 Galvanneal Steel material
- Stainless Latches
- Master lock system for all doors
- LED Lighting
- Non Skid coating on walking surfaces
- CS Tail shelf Side Entry

### CHASSIS DETAILS

- New Chevrolet 6500 HD
- Duramax 6.6L Turbo-Diesel V8
- Automatic Transmission
- 4x4

# ETC MH37 IH

ARTICULATED / TELESCOPIC  
INSULATED MATERIAL HANDLING



## INSULATED VERSATILITY

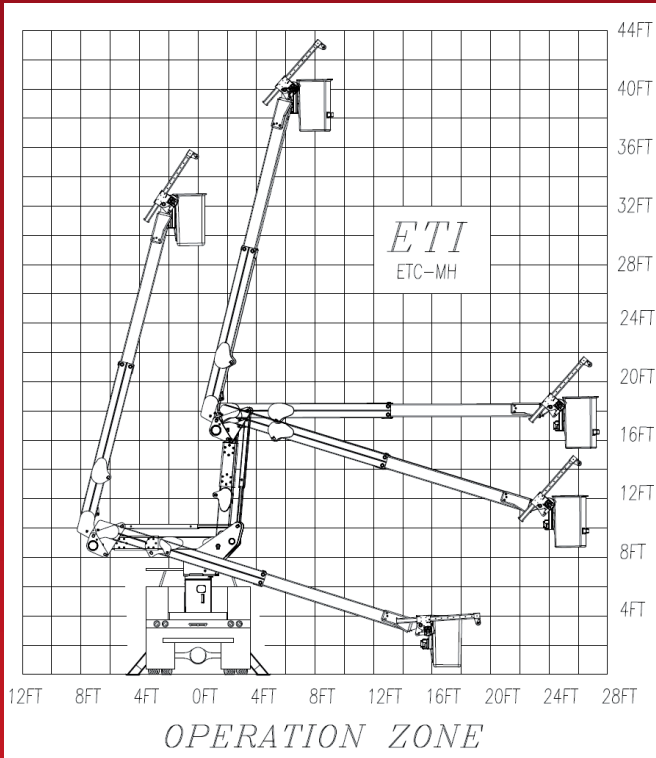
The ETC37MH is a versatile insulated unit that is well suited to those customers in need of an aerial unit that can offer powerful capabilities. With an articulating and telescoping aerial lift that reaches a height of 37' to the bottom of the bucket, this unit has a standard option continuous rotation allowing for unrestricted rotation. This model also offers material handling capabilities with a hydraulic winch and a 5' jib that can lift up to 1,000 lbs. utilizing the full 27 ft - 5 in. of hydraulic reach.



DEPEND ON IT.



# ETC MH 37 IH



**EQUIPMENT TECHNOLOGY LLC  
IS A FULL SERVICE SOLUTION  
PROVIDER OF THE HIGHEST  
QUALITY DESIGN,  
MANUFACTURING, AND POST  
SALE SERVICE.**

## EQUIPMENT TECHNOLOGY LLC

341 NW 122nd  
Oklahoma City, OK 73114  
Toll-Free: 1-888-748-3841 • Fax: 1-405-755-6829  
[etiequipment.com](http://etiequipment.com)

### GENERAL SPECIFICATIONS\*

Height to bottom of bucket.....	37ft.-0in.
Working height.....	42ft.-0in.
Sidereach, Endmount.....	27ft.-5in.
Rotation.....	Continuous
Lower boom articulation.....	0° to 95°
Upper boom travel.....	-17° to 76°
Stow height.....	10ft.-2in.
Rated bucket capacity.....	400lbs.

### MINIMUM VEHICLE SPECIFICATIONS

- GVWR.....19,500lbs.
- C.A.....84in.

### STANDARD FEATURES

- Continuous rotation is standard providing unrestricted rotation.
- Lower boom compensating link.
- Full pressure hydraulic controls located at platform and turret with full feathering capabilities from upper and lower controls.
- Hydraulic leveling via master/slave system providing a bucket dump for clean out and operator rescue.
- Shear ball rotation gear driven by external drive gear box. The gear box has an extended hex shaft for manual rotation.
- Internally mounted holding valve (integral part of cylinder) locks cylinder in place in event of hydraulic failure.
- All pins turn on replaceable composite bushings.
- Inner boom extend with double acting hydraulic cylinder for safety and performance.
- 90 Degree bucket rotator
- Single handle hydraulic control at basket.
- Fiberglass upper boom, fiberglass insert on lower boom.
- 24" x 30" Basket
- 2 sets of outriggers
- Outrigger/boom interlock
- 400lbs. Bucket capacity
- Hydraulic winch & 5ft jib—up to 1000lbs. material handling

### OPTIONS

- Engine start/stop at bucket
- Emergency hydraulic power (12VDC)
- Hydraulic tool circuit
- Bucket liner
- Bucket cover
- Hydraulic jib extension



Specifications are subject to change without notice  
Note (\*): All specifications are based on 40" frame height